

## **PERMANENT MAGNET (PM) GENERATOR**

### **MODEL DMT 8300S**

#### **Variable Speed Liquid Cooled 2.5MW PM Generator** **98% peak efficiency – Zero Cogging**

Danotek Motion Technologies introduces a Patent Pending, thermally optimized high power density PM Generator for Energy Efficient power generation systems. With 98% max efficiency the generator offers improved performance and lower operating cost. The Generator's light weight and unique design characteristics provide close to zero cogging torque making it a prime candidate for wind turbines. Ideal for inverter/rectifier application, the generator is designed with bearing current shunt, high quality Class H insulation material and robust mechanical systems that greatly improves reliability and durability. The generator set also includes optional bearing removal and auto lubrication systems.



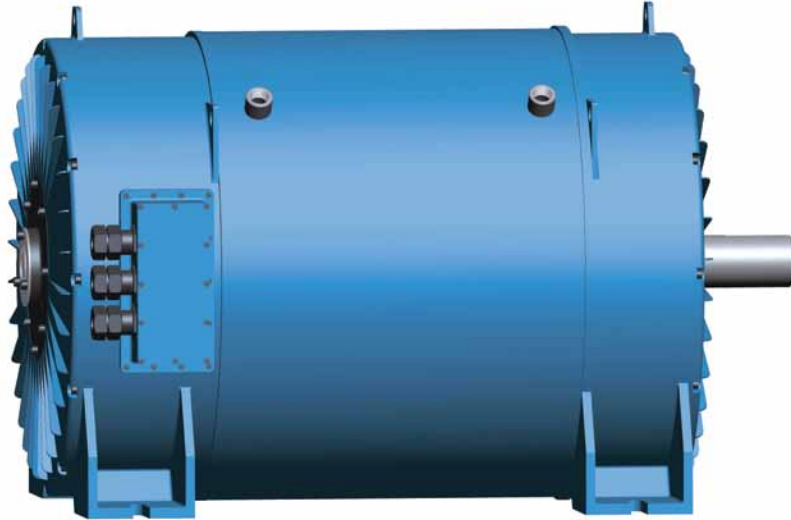
Danotek offers the generator as a stand alone product or with an optional inverter/rectifier system. Custom mounting interface, output voltages, speed range, cooling system and enclosure styles can be accommodated.

#### Recommended Applications:

- Wind Power turbines
- Commercial, Military, Marine, Industrial

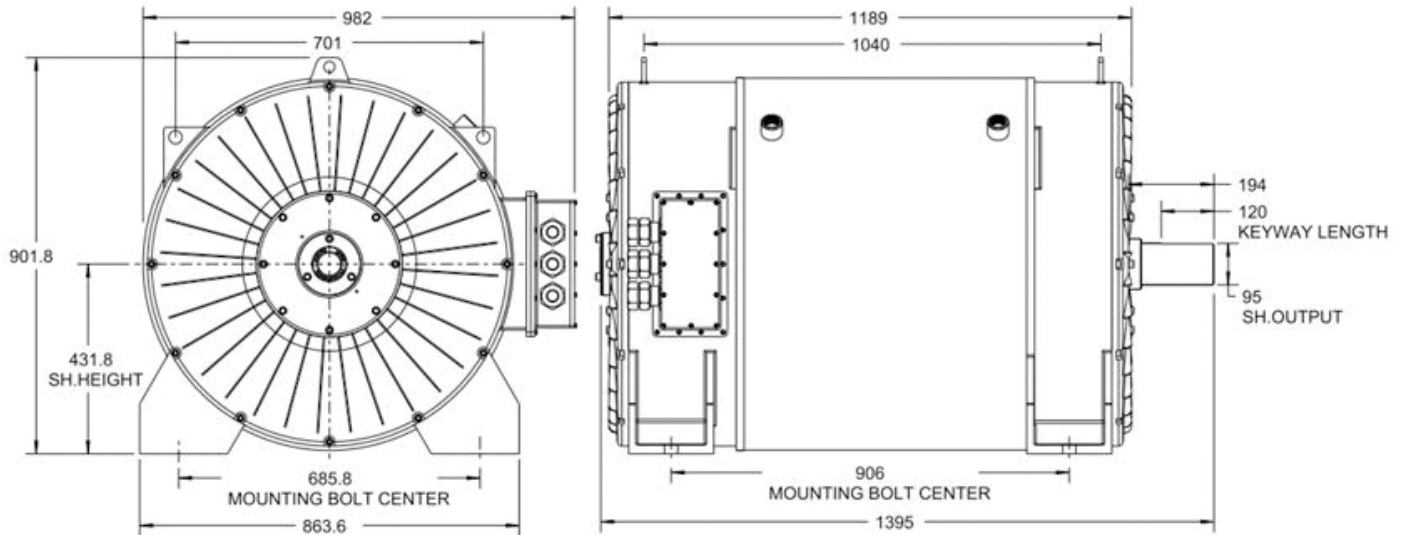


**GENERATING A CLEAN AND EFFICIENT FUTURE**



## General Specifications

V Gen (AC rms)	Up to 1000V
Max Speed	2000 RPM
Peak Efficiency	98%
P-max (1.8k rpm)	2.5 MW
Power Factor	0.99
Op Ambient Temp	-40° to +55° C
Cooling	Water/Glycol (optional air)
Mounting & Shaft	NEMA or Custom
Bearing	High Load
Enclosure	TENV



AN ALTERNATIVE ENERGY TECHNOLOGY COMPANY  
 ADVANCED MOTORS • GENERATORS • POWER CONTROLS

8680 North Haggerty Road, Canton, Michigan 48187-2098 USA

Tel: 734 426 5976 Fax: 734 424 1202

[www.danotekmotion.com](http://www.danotekmotion.com)

